

Raxton Right Angle Adaptors

Technical Specification



Right Angle Adaptors provide a means of connection where protrusion space is limited, whilst simultaneously if necessary, converting the entry thread to that of a different type or reducing size and/or gender of the female thread.

Certifications and Compliances

Code of Protection Categories

ATEX: I M2, Ex d IMb, Ex e I Mb or II GD, Ex d IIC Gb, Ex e IIC Gb, Ex tb IIIC Db

IECEX: Ex d I/IIC Mb/Gb, Ex e I/IIC Mb/Gb, Ex tb IIIC Db

GOST: ExdIIICU

INMETRO: Ex d IIC Gb, Ex tb IIIC IP66/67

Compliance Standards

ATEX / GOST: EN 60079-0:2009, EN60079-1:2007, EN 60079-7:2007, EN 60079-31:2008

INMETRO: ABNT NBR IEC 60079-0:2008, ABNT NBR IEC 60079-1:2009, ABNT NBR IEC 60079-7:2008, ABNT NBR IEC 60079-31:2011

IECEX: IEC 60079-0:2007-10, IEC 60079-1:2007-04, IEC 60079-7:2006-07, IEC 61241-1:2004

Certificate Details

ATEX: Sira 10ATEX1228U

IECEX: IECEX SIR 09.0086U

GOST: TC RUC-G B.ГБ06.B.00105

INMETRO: NCC 12.0764X

TEMPERATURE

The item is classified as a component and therefore metallic products are not given an operating temperature range.

*M20 and M25 may be supplied as Option A or B

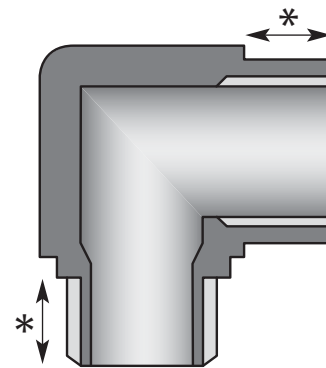
Ingress Protection (IP):

Independently tested to IP66 / IP68 when fitted in accordance to manufacturer's instructions.



Product Dimensions

Thread	Height Assembly (mm)	Bore (mm)	Male Bore Size (mm)	Option Available
M16	45.0	11.0	9.0	A
M20	51.0	14.3	15.0	A or B
M25	57.0	20.5	20.8	A or B
M32	66.0	26.8	26.8	A
M40	75.0	33.5	33.5	A
M50	86.0	44.0	44.0	A
M63	101.5	55.2	55.0	A
M75	119.0	66.7	66.5	A



* Minimum 8 full threads parallel 5 full threads taper.

Product Codes

DIGIT 1+2 Description (Adaptors)	Code	DIGIT 3 Material	Code	DIGIT 4 & 5 Male Thread Reference	DIGIT 6 & 7 Female Thread Reference	DIGIT 8 Approval	DIGIT 9 Special	DIGIT 10 Plating					
RIGHT ANGLE M-F	FG	BRASS	A	M16	11	1/2" NPT	42	ATEX/IECEX/ INMETRO Ex de	Y	None (standard)	X or blank	None	Blank
RIGHT ANGLE F-F	FN	ALUMINIUM	B	M20	12	3/4" NPT	43	For other approvals please see product coding list on page 64		Customer Special	S	Nickel	N
RIGHT ANGLE M-M	FK	MILD STEEL	C	M25	13	1" NPT	44			Round Design	C	Zinc	Z
		STAINLESS STEEL	E	M32	14	1 1/4" NPT	45					Chromatised	C
				M40	15	1 1/2" NPT	46					Special	S
				M50	16	2" NPT	47						
				M63	17	2 1/2" NPT	48						
				M75	18	3" NPT	49						
				M90	81	3 1/2" NPT	86						
				M100	82	4" NPT	87	Industrial	X or Blank				

Other sizes / threads are available on request

PRODUCT CODING EXAMPLE	R.A. M-F	Brass	M20(M)	M20(F)	Ex de	PART NUMBER
	FG	A	12	12	Y	= FGA1212Y